



HBL430P7W -- Pin and Sleeve Products



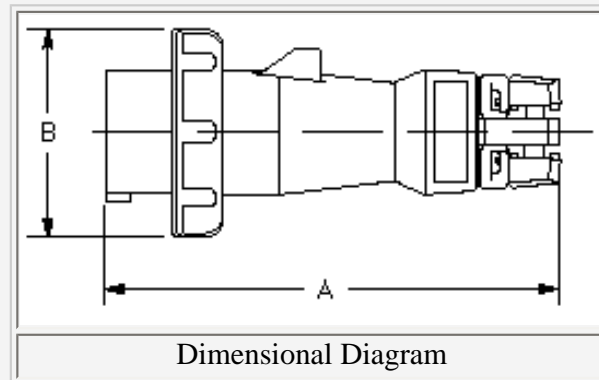
Watertight IEC Pin and Sleeve Plug, 3P4W, 30A 3PH 480V

Product Specifications

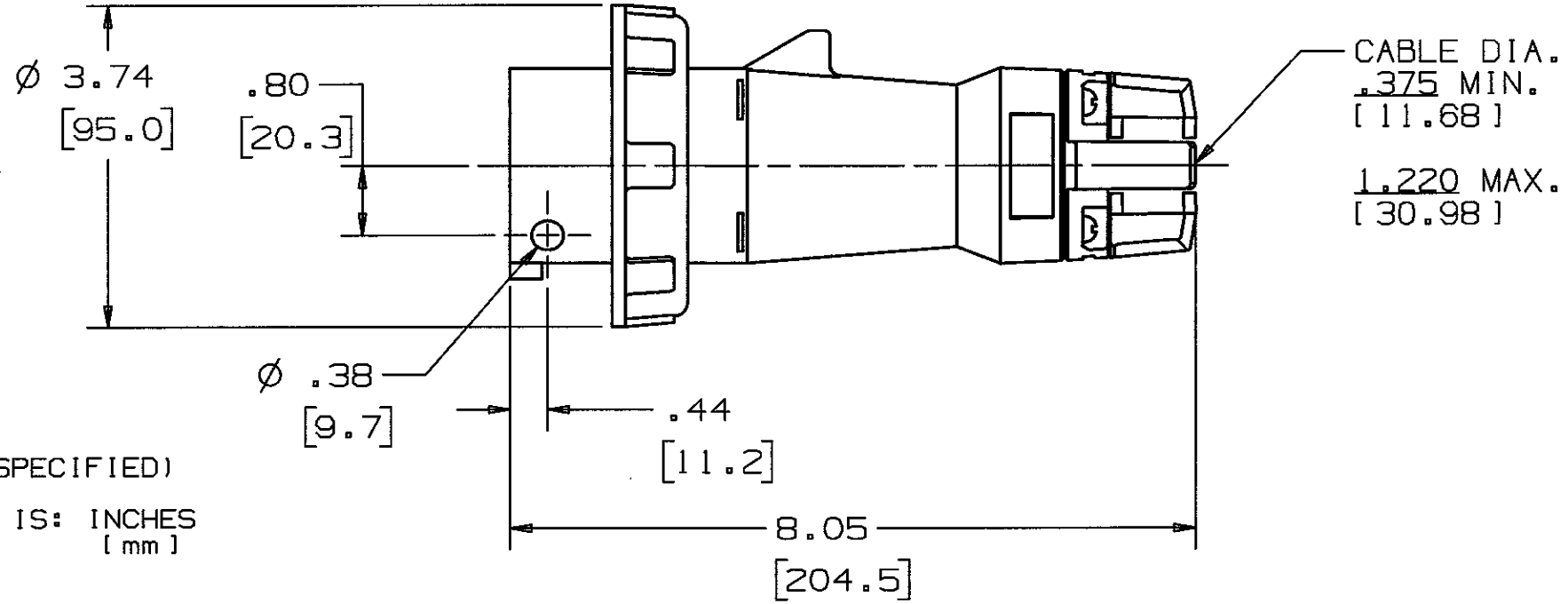
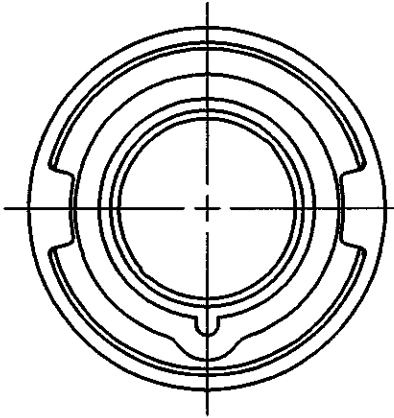
Product Type	 <p>IEC Devices</p>
IEC Product Type	Watertight
Service Style	Standard
Device	Plug
Amperage	30A
Voltage	3 Phase 480V
Poles and Wires	3 Pole, 4 Wire
Terminal Accommodations	#12 To #8 AWG copper wire only
Cord clamp range	.375" To 1.250"
Color	 <p>Red</p>
Replacement Interior Number	IN430DM
Housing	Zytel 801 Nylon
Lock Ring	Rynite SST35

Contact Carrier	High-Impact Thermoset
Retainer	High-Impact Thermoset
Ground/Phase Pins	Brass
Terminal Screws	Stainless Steel (300 series)
Assembly Screws	Stainless Steel (300 series)
Gaskets	Neoprene
Cord Clamps	Rynite SST35
Grommet/Glands	Solid Neoprene
Gland Cap	Rynite SST35
Cord Clamp Screws	Stainless Steel (300 Series)
Clamp Nut	Nickel Plated Brass
Certification	UL Listed, File E146032 Receptacles and Inlets, E146033 Plugs and Connectors, UL Standard UL1682 & UL1686C2, CSA Certified File LR280C for Plugs, Connectors and Inlets, LR285C for Receptacles, CSA Standard C22.2 No. 182.1, UL Classified to IEC60309-1, IEC
Dielectric Withstand Voltage	Withstands 3,000V AC
Max Working Voltage	600V RMS (i.e.minimum creepage distance 10 mm minimum)
Current Interrupting	Certified for current interrupting at full rated current.
Temperature Rise	Max 30° C temperature rise at full rated current after 50 cycles of overload at 150% of rated current at a power factor of 75%.
Endurance	5,000 connect and disconnect cycles with load for 16A and 20A, 1,000 cycles with load and 1,000 cycles w/o load for 30A, 32A, 60A and 63A, and 250 cycles with load and 250 cycles w/o load for 100A and 125A.
Impact Resistance	Per CSA C22.2 No. 182.1 / UL1682.
Cord Grip Retention	Per CSA C22.2 No. 182.1 / UL1682.
Cord Accommodation	Round portable service cords of diameters commensurate with the device rating as defined in UL Standard 62, CSA C22.2 No. 49 and the harmonized European Standards.
Terminal Identification	Terminals identified in accordance with North American and IEC conventions.
Product Identification	Identification and ratings are a permanent part of the device housing.
Moisture Resistance	Watertight per IEC 60309-1
Ingress Protection	IP 67 Suitability
Flammability	HB or Better per UL 94 or CSA C22.2 No. 0.17
Operating Temperatures	Maximum Continuous: 75° C; Minimum Continuous: -40° C w/o impact.

Certifications	UL Listed, File E146032 Receptacles and Inlets, E146033 Plugs and Connectors, UL Standard UL1682 & UL 1686C2, CSA Certified File LR280C for Plugs, Connectors and Inlets and LR285C for Receptacle CSA Standard C22.2 No. 182.2, UL Classified to IEC 309-1 and
Device Description	Every Hubbell non-metallic Pin and Sleeve product is designed to meet the International Standard IEC 60309-1 and IEC 60309-2. This device standard calls out singly rated, non-interchangeable configuration for every voltage and type of service.
Catalog Page	Click here for catalog page E4
M Drawings	Click here for M-Drawing
Brochures	Click here for product brochure
Catalog Section	Click here for Section-E
UPC Number	78358540458
Weight in LBs	1.3



M-6071 4



NOTES: (UNLESS OTHERWISE SPECIFIED)
 1) DIMENSION FORMAT IS: INCHES [mm]

LIST OF PARTS		
DESCRIPTION	MATERIAL	FINISH
HOUSING	SEE TABLE	
GASKET	RUBBER	
LOCK RING	POLYESTER	
INTERIOR	THERMOSET	
PINS	BRASS	
TERM. SCREWS	STAIN. STEEL	
GLAND CAP	POLYESTER	
GLANDS	RUBBER	
CLAMPS	POLYESTER	
CLAMP NUTS	BRASS	NICKEL
ASS'Y SCRS.	STAIN. STEEL	

CAT NO.	CONFIGURATION	RATING	HOUSING		CAT. NO.	CONFIGURATION	RATING	HOUSING	
			COLOR	MATERIAL				COLOR	MATERIAL
					HBL430P7WR HBL430P7W		30A 3Ø 480VAC	RED	NYLON
					HBL430P7V05		30A 3Ø 480VAC	RED	VALOX
HBL432P3W		32A 380V-50HZ 440V-60HZ	RED	NYLON	HBL430P9WR HBL430P9W		30A 3Ø 250VAC	BLUE	NYLON
					HBL430P9V04		30A 3Ø 250VAC	BLUE	VALOX
HBL430P5W HBL430P5WR		30A 3Ø 600VAC	BLACK	NYLON					
HBL432P6W		32AMP 380V-415VAC	RED	NYLON	HBL430P12W		30AMP 125/250VAC	ORANGE	NYLON

4	ADDED CAT. NO.'S HBL432P3W, HBL430P7V05, & HBL430P904, AND HOUSING/COLOR/MATERIAL COLUMN TO TABLE, ADDED Ø .38 HOLE TO VIEW WITH .80(20.3) & .44(11.2) DIM.'S, NOTE 1 WAS "() DIMENSIONS ARE IN MILLIMETERS", CABLE DIA. .375 MIN. WAS .460 MIN., IN LIST OF PARTS "SEE TABLE" WAS "NYLON" PER DCN #6655. JMN	TCM	1/21/02
3	ADDED CAT. NO. FOR REVERSE SERVICE & "HBL" PREFIX PER DCN 6500 CAC		01/7/99 CAC
2	CHANGED FRACTIONAL DIMS TO DECIMAL DIMS. & REVISED LIST OF PARTS		7-18-91 AJL
1	CAT. NO. 432P6W WAS 430P6W & RATING REVISED		10-25-82 ASM
SYM	REVISIONS	APP	DATE

THE DESIGN AND DIMENSIONS OF THE PRODUCT SHOWN ON THIS DRAWING ARE SUBJECT TO CHANGE WITHOUT NOTICE

TITLE 30A & 32A 3 POLE 4 WIRE PIN & SLEEVE PLUGS

TOLERANCES UNLESS OTHERWISE SPECIFIED		WIRING DEVICE-KELLEMS HUBBELL INCORPORATED BRIDGEPORT, CT	
FRACTIONS ±1/64	DECIMALS ±.005	DR. BY CAC	APP. BY
ANGLES ±2°	DECIMALS ±.03	TR. BY	SCALE 1/2
		CHK'D BY	DATE 1/6/99

REPAIRABLE NON-REPAIRABLE **B M-6071** 4

DIMENSION SHEET FOR CAT. NO. SEE TABLE

Pin and Sleeve

Watertight Devices Ordering Information

20 and 30 Ampere – North American Ratings

16 and 32 Ampere – International Ratings

UL	SF	IP67 Suitability	Watertight Devices				Back Boxes		Replacement Interior Kits			
			Receptacle	Plug	Connector	Inlet	Non-Metallic	Metallic	Conn. Recep.	Plugs Inlets		
Amps	Poles and Wires	Configuration Recep./ Conn.	Plug/ Inlet	Voltage								
16	2P 3W			100-130	HBL316R4W	HBL316P4W	HBL316C4W	HBL316B4W†	BB2030N	BB201W BB301W	IN320BF	IN320BM
	2P 3W			220-240	HBL316R6W	HBL316P6W	HBL316C6W	HBL316B6W	BB2030N	BB201W BB301W	IN320BF	IN320BM
	3P 4W			380-415	HBL416R6W	HBL416P6W	HBL416C6W	HBL416B6W†	BB2030N	BB201W BB301W	IN420DF	IN420DM
	4P 5W			220/380 240/415	HBL516R6W	HBL516P6W	HBL516C6W	HBL516B6W	BB2030N	BB201W BB301W	IN520EF†	IN520EM
20	2P 3W			125	HBL320R4W	HBL320P4W	HBL320C4W	HBL320B4W	BB2030N	BB201W BB301W	IN320AF	IN320AM
	2P 3W			250	HBL320R6W	HBL320P6W	HBL320C6W	HBL320B6W	BB2030N	BB201W BB301W	IN320BF	IN320BM
	2P 3W			480	HBL320R7W	HBL320P7W	HBL320C7W	HBL320B7W	BB2030N	BB201W BB301W	IN320BF	IN320BM
	3P 4W			125/250	HBL420R12W	HBL420P12W	HBL420C12W	HBL420B12W	BB2030N	BB201W BB301W	IN420CF	IN420CM
	3P 4W			3Ø250	HBL420R9W	HBL420P9W	HBL420C9W	HBL420B9W	BB2030N	BB201W BB301W	IN420DF	IN420DM
	3P 4W			3Ø480	HBL420R7W	HBL420P7W	HBL420C7W	HBL420B7W	BB2030N	BB201W BB301W	IN420DF	IN420DM
	3P 4W			3Ø600	HBL420R5W	HBL420P5W	HBL420C5W	HBL420B5W	BB2030N	BB201W BB301W	IN420DF	IN420DM
	4P 5W			3ØY120/208	HBL520R9W	HBL520P9W	HBL520C9W	HBL520B9W	BB2030N	BB201W BB301W	IN520EF†	IN520EM
	4P 5W			3ØY277/480	HBL520R7W	HBL520P7W	HBL520C7W	HBL520B7W	BB2030N	BB201W BB301W	IN520EF†	IN520EM
	4P 5W			3ØY347/600	HBL520R5W	HBL520P5W	HBL520C5W	HBL520B5W	BB2030N	BB201W BB301W	IN520EF†	IN520EM
30	2P 3W			125	HBL330R4W	HBL330P4W	HBL330C4W	HBL330B4W	BB2030N	BB201W BB301W	IN330AF	IN330AM
	2P 3W			250	HBL330R6W	HBL330P6W	HBL330C6W	HBL330B6W	BB2030N	BB201W BB301W	IN330BF	IN330BM
	2P 3W			480	HBL330R7W	HBL330P7W	HBL330C7W	HBL330B7W	BB2030N	BB201W BB301W	IN330BF	IN330BM
	3P 4W			125/250	HBL430R12W	HBL430P12W	HBL430C12W	HBL430B12W	BB2030N	BB201W BB301W	IN430CF	IN430CM
	3P 4W			3Ø250	HBL430R9W	HBL430P9W	HBL430C9W	HBL430B9W	BB2030N	BB201W BB301W	IN430DF	IN430DM
	3P 4W			3Ø480	HBL430R7W	HBL430P7W	HBL430C7W	HBL430B7W	BB2030N	BB201W BB301W	IN430DF	IN430DM
	3P 4W			3Ø600	HBL430R5W	HBL430P5W	HBL430C5W	HBL430B5W	BB2030N	BB201W BB301W	IN430DF	IN430DM
	4P 5W			3ØY120/208	HBL530R9W	HBL530P9W	HBL530C9W	HBL530B9W	BB2030N	BB201W BB301W	IN530EF	IN530EM
	4P 5W			3ØY277/480	HBL530R7W	HBL530P7W	HBL530C7W	HBL530B7W	BB2030N	BB201W BB301W	IN530EF	IN530EM
	4P 5W			3ØY347/600	HBL530R5W	HBL530P5W	HBL530C5W	HBL530B5W	BB2030N	BB201W BB301W	IN530EF	IN530EM
32	2P 3W			100-130	HBL332R4W†	HBL332P4W†	HBL332C4W†	HBL332B4W†	BB2030N	BB201W BB301W	IN330BF	IN330BM
	2P 3W			220-240	HBL332R6W	HBL332P6W	HBL332C6W	HBL332B6W	BB2030N	BB201W BB301W	IN330BF	IN330BM
	3P 4W			380-415	HBL432R6W	HBL432P6W	HBL432C6W	HBL432B6W	BB2030N	BB201W BB301W	IN430DF	IN430DM
	3P 4W			380V 50Hz 440V 60Hz	HBL432R3W	HBL432P3W	HBL432C3W	-	BB2030N	BB201W BB301W	IN430DF	IN430DM
	4P 5W			220/380 240/415	HBL532R6W	HBL532P6W	HBL532C6W	HBL532B6W	BB2030N	BB201W BB301W	IN530EF	IN530EM

Notes: See page E-6, E-7 for accessories. See page E-8, E-9 for product dimensions. See page E-10, E-11 for product specifications. Closure caps purchased separately, see page E-7.

† Consult factory.